

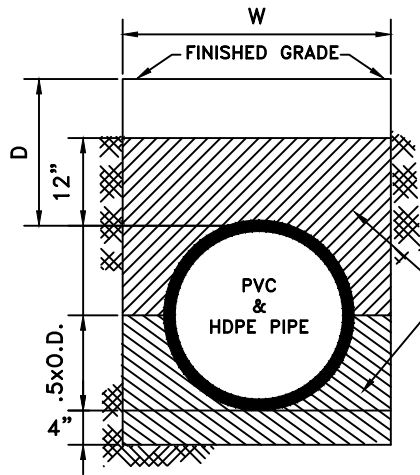
NOTES:

1. ASPHALT CONCRETE PATCH, 6 INCHES THICK OR THAT OF EXISTING, WHICHEVER IS MORE.
2. AGGREGATE BASE OR AGGREGATE BASE AND SUBBASE SECTION PER APPROVED PLAN. 95% RELATIVE COMPACTION.
3. ASPHALT CONCRETE PAVEMENT SECTION PER APPROVED PLANS.
4. 24 INCHES OF TWO SACK CONCRETE SLURRY PER CALTRANS STANDARD SPEC 19-3.062
5. SIX INCHES OF SUBGRADE, PROCESSED TO 95% RELATIVE COMPACTION.
6. NATIVE BACKFILL MATERIAL, 90% RELATIVE COMPACTION.
7. EXISTING STREET PAVEMENT.
8. TACK COAT ON ALL VERTICAL PAVEMENT SAWCUTS.
9. TYPICAL EACH SIDE OF TRENCH IN EXISTING STREET.
10. FOR PIPE EMBEDMENT SEE TB-2 FOR PLASTIC STORM DRAIN, W-1 FOR WATER PIPE, SS-1 FOR SANITARY SEWER PIPE, OF THESE CONSTRUCTION STANDARDS.
11. PIPE
12. FOR REINFORCED CONCRETE PIPE EMBEDMENT: PLACE 1/2 OR 3/4 INCH CRUSHED ROCK UP TO SPRING LINE WITH MINIMUM OF FOUR (4) INCHES OF 1/2 OR 3/4 INCH CRUSHED ROCK BEDDING. MAINTAIN MINIMUM OF SIX (6) INCHES OF CLEARANCE BETWEEN THE PIPE AND THE TRENCH WALL.
13. ALTERNATE TRENCH BOTTOM. THE DIAMETER OF THE ALTERNATE ROUNDED TRENCH BOTTOM SHALL EQUAL THE WIDTH OF THE TRENCH.

NOTE: IN CONDITION #1, TRENCH CUT FEE MAY APPLY PER CITY ORDINANCE.

MARC STOUT
CITY ENGINEER

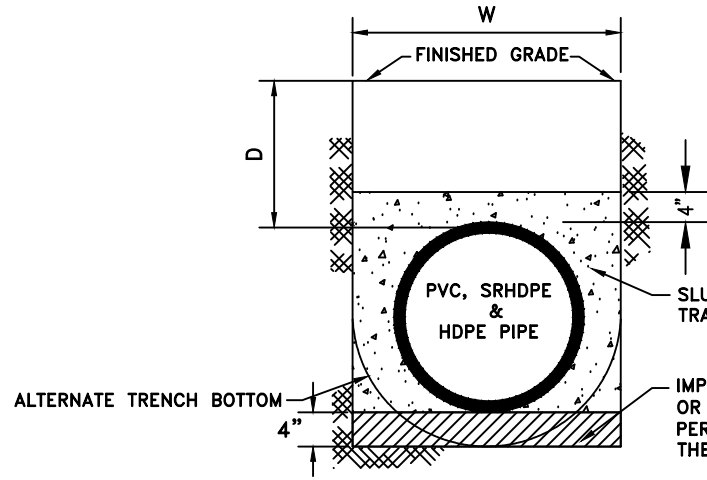
 CITY OF ROSEVILLE CALIFORNIA	DEVELOPMENT SERVICES DEPARTMENT
UTILITY TRENCH PAVING BACKFILL AND EMBEDMENT	
SCALE: NONE REVISED: JANUARY 1, 2019 DRAWN BY: R MEDINA APPROVED BY: MARC STOUT	
TB-1	



IMPORTED MATERIAL: 1/2" OR 3/4" CRUSHED ROCK PER SECTION 71-5L OF THESE STANDARDS.

DETAIL A

SRHDPE, PVC & HDPE PIPE ONLY (NONRIGID)



SLURRY BACKFILL PER CALTRANS SEC. 19-3.02E

IMPORTED MATERIAL: 1/2" OR 3/4" CRUSHED ROCK PER SECTION 71-5L OF THESE STANDARDS.

DETAIL B

SRHDPE, PVC & HDPE PIPE ONLY (NONRIGID)

NOTES:

1. TRENCH WIDTH:

PIPE SIZE	TRENCH WIDTH = W
30" AND UNDER	O.D. + 16"
OVER 30"	O.D. x 1.25 + 12"

- HIGH DENSITY POLYETHYLENE (HDPE) AND POLYPROPYLENE N-12HP, 12"-60" STORM DRAIN PIPE SHALL BE TYPE "S" AS DESCRIBED IN SECTION 64 OF THE CALTRANS STANDARD SPECIFICATIONS. PIPE INSTALLATION AND PIPE CONFIGURATION SHALL BE AS SHOWN ON THIS DRAWING AND AS DESCRIBED IN THESE GENERAL NOTES. JOINTS SHALL BE SEALED WITH A RUBBER GASKET. GASKETS SHALL MEET THE REQUIREMENT OF ASTM F-477. "
- FILL HEIGHTS "D" FOR NONRIGID (PVS & HDPE) DRAIN PIPE SHALL BE A MINIMUM OF 36 INCH AND A MAXIMUM OF 15 FEET, AND (SRHDPE) SHALL HAVE A MINIMUM OF ONE FOOT (IN ADDITION TO THE ROADWAY STRUCTURAL SECTION) AND A MAXIMUM OF 30 FEET FROM THE TOP OF PIPE FINISH GRADE. (SEE DETAILS A & B FOR TRENCH BACKFILL REQUIREMENTS. CONTRACTOR MAY USE EITHER DETAIL A OR B.)
- PIPE MATERIAL CHANGES BETWEEN STRUCTURES ARE PROHIBITED. OUTFALL/INLET RUNS AND STUBS INTO FUTURE SITES SHALL BE RCP. (SEE SECTION 101-6 D.1.C. AND 101-8 D.4. FOR CONCRETE PIPE APPLICATION.)
- REFER TO TB-1 FOR TREATMENT OF THE TOP PORTION OF THE TRENCH WITHIN THE CITY STREET.
- THE DIAMETER OF THE ALTERNATE, ROUNDED TRENCH BOTTOM SHALL BE EQUAL TO THE WIDTH OF THE TRENCH.

MARC STOUT
CITY ENGINEER

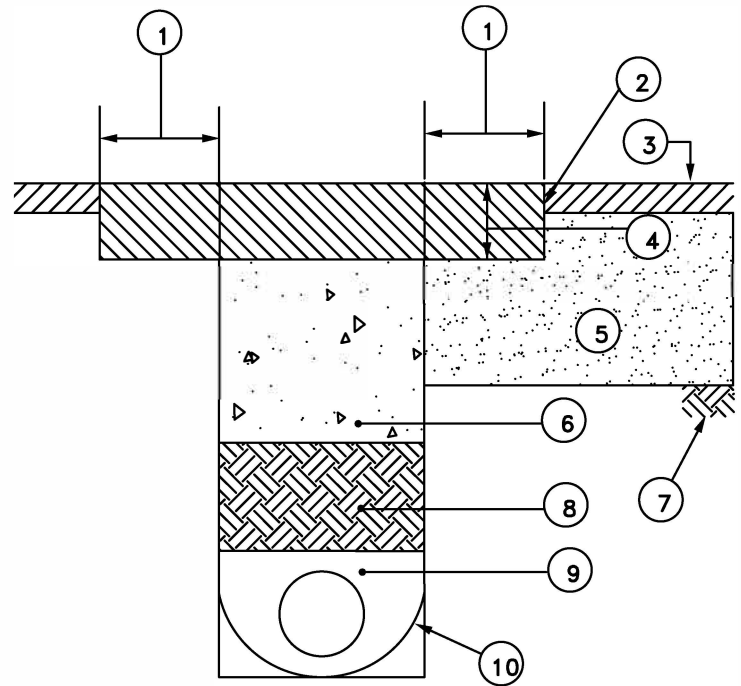
CITY OF
ROSEVILLE
CALIFORNIA

DEVELOPMENT SERVICES
DEPARTMENT

HDPE, SRHDPE PVC STORM DRAIN
PIPE ONLY (NONRIGID)
BEDDING AND BACKFILL

SCALE: NONE
REVISED: JANUARY 1, 2020
DRAWN BY: R MEDINA
APPROVED BY: MARC STOUT

TB-2



NOTES:

1. 18 INCH KEY OUTSIDE TRENCH LINE
2. COAT ALL EXISTING VERTICAL FACES WITH ASPHALTIC EMULSION (TACK) PRIOR TO PAVING
3. EXISTING AC PAVING
4. PATCH SHALL BE THICKNESS OF EXISTING SECTION PLUS 2 1/2 INCHES. PER CITY TRENCH CUT ORDINANCE (6 INCH MINIMUM THICKNESS).
5. AGGREGATE BASE/SUBBASE: RECOMPACT DISTURBED SURFACE AREAS TO 95%.
6. TWO FEET OF TWO SACK CONCRETE SLURRY PER CALTRANS STANDARD SPECIFICATION 19-3.062
7. NATIVE SOIL
8. NATIVE SOIL TO BE PROCESSED TO 90% RELATIVE COMPACTION.
9. FOR PIPE EMBEDMENT, SEE THE FOLLOWING CONDITIONS:
 - a. TB-2 FOR PLASTIC STORM DRAIN PIPE
 - b. W-1 FOR WATER PIPE
 - c. SS-1 FOR WASTE WATER PIPE
 - d. FOR REINFORCED CONCRETE PIPE, PLACE 1/2 OR 3/4 INCH CRUSHED ROCK UP TO SPRING LINE WITH A MINIMUM OF FOUR INCHES OF BEDDING BELOW PIPE. MAINTAIN A MINIMUM OF SIX INCHES OF CLEARANCE BETWEEN THE PIPE AND THE TRENCH WALL.
10. ALTERNATE TRENCH BOTTOM. THE DIAMETER OF THE ALTERNATE, ROUNDED TRENCH BOTTOM SHALL EQUAL THE WIDTH OF THE TRENCH.

NOTE: THIS DETAIL APPLIES TO UTILITY TRENCHES IN WHICH TRENCH CUT FEES WERE NOT PAID BY THE APPLICANT, OR AS SPECIFIED BY THE ENGINEER.

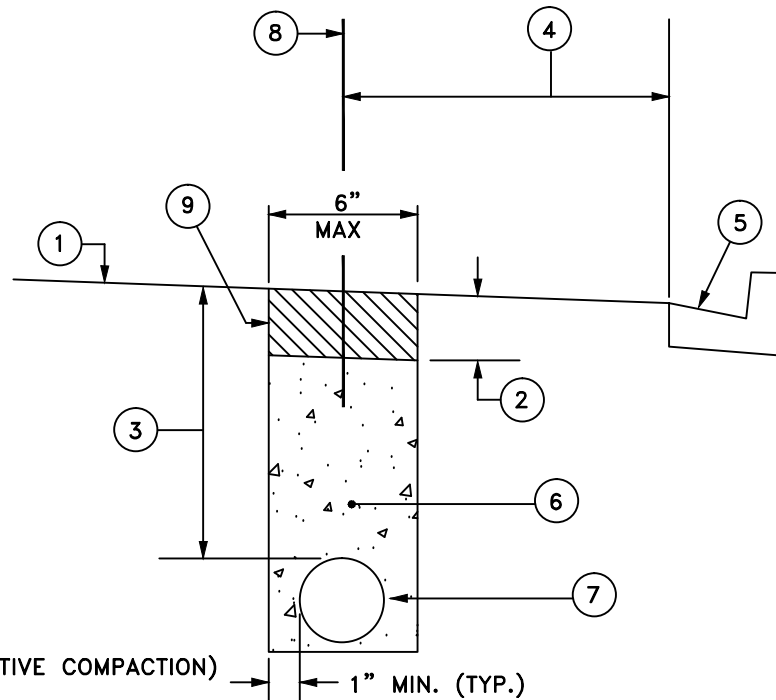
MARC STOUT
CITY ENGINEER

	DEVELOPMENT SERVICES DEPARTMENT
--	------------------------------------

**DEEP CUT "T"
PATCH RECONSTRUCTION**

SCALE: NONE
 REVISED: JANUARY 1, 2019
 DRAWN BY: R MEDINA
 APPROVED BY: MARC STOUT

TB-3



LEGEND:

1. SURFACE OF EXISTING STREET SECTION
2. .25' THICK ASPHALT CONCRETE PER SECTION 71-4.D. (93% RELATIVE COMPACTION)
3. PIPE COVER PER UTILITY CO. (18" MIN TO 30" MAX)
4. DISTANCE VARIES. IF LESS THAN 3 FEET, THEN CONTRACTOR IS REQUIRED TO EDGE GRIND FROM LIP OF GUTTER (.15' DEEP) TO INSIDE LIMIT LINE OF TRENCH
5. EXISTING CURB AND GUTTER
6. "MINOR CONCRETE" CONFORMING TO THE PROVISIONS IN SECTION 71-5B, "CONCRETE", WITH FINE AGGREGATE (PEA GRAVEL MIX). CONCRETE SHALL BE FLOW-ABLE AT DISCRETION OF CITY INSPECTOR
7. CONDUIT AS SPECIFIED
8. CENTER LINE OF BIKE LANE STRIPE
9. PLACE BINDER (TACK COAT) ON ALL SURFACES PRIOR TO PAVING PER SECTION 39 OF STATE STANDARD SPECIFICATIONS

NOTES:

1. THE CONTRACTOR IS RESPONSIBLE FOR REPLACEMENT OF BIKE LANE STRIPE AND LEGENDS (AFFECTED BY TRENCHING) WITH THERMOPLASTIC MATERIAL.
2. ALL EXCAVATED AREAS IN THE PAVEMENT SHALL BE BACKFILLED, EXCEPT FOR THE TOP 0.25' BY THE END OF EACH WORK DAY. THE TOP .25' SHALL BE PLACED WITHIN 3 WORKING DAYS AFTER TRENCHING. DELINEATORS SHALL BE PLACED ON TEN FOOT CENTERS, AND WITHIN 1' OF EACH SIDE OF DRIVEWAYS IN THE INTERIM. REFER TO SECTION 6.2W.5 FOR TRANSITION LOCATIONS.
3. TRENCH CUT FEE SHALL APPLY PER CITY ORDINANCE. NO ALTERNATE TRENCH CONFIGURATION IS ALLOWED.
4. SEE DETAIL TS-13 FOR MULTIPLE CONDUIT PROVISIONS.

MARC STOUT
CITY ENGINEER

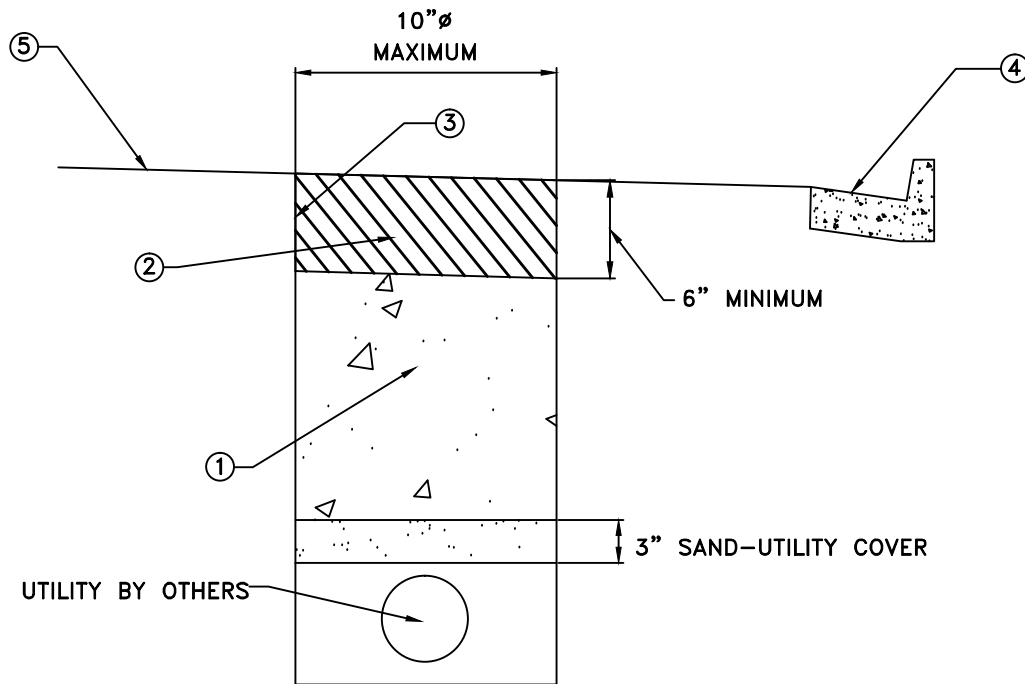


DEVELOPMENT SERVICES
DEPARTMENT

ROCK WHEEL TRENCH
(IN EXISTING STREET)

SCALE: NONE
REVISED: JANUARY 1, 2016
DRAWN BY: J MCKINNEY
APPROVED BY: MARC STOUT

TB-4



LEGEND:

1. "MINOR CONCRETE" CONFORMING TO THE PROVISIONS IN SECTION 71-5B, "CONCRETE", WITH FINE AGGREGATE (PEA GRAVEL MIX).
2. 1/2" ASPHALT CONCRETE PER CONSTRUCTION STANDARDS SECTION 71-4.D. (93% RELATIVE COMPACTION)
3. PLACE BINDER (TACK COAT) ON ALL SURFACES PRIOR TO PAVING PER SECTION 39 OF STATE STANDARD SPECIFICATIONS
4. EXISTING CURB AND GUTTER
5. SURFACE EXISTING STREET SECTION (PAVEMENT)

NOTES

1. ASPHALT CONCRETE ROADWAY SURFACE POTHOLE SHALL BE SAW CUT OR JACKHAMMERED IN A UNIFORM FASHION. FOR PORTLAND CEMENT CONCRETE ROADWAYS, BRING CONCRETE BACKFILL TO SURFACE, AND FINISH WITH MEDIUM BROOM FINISH.
2. MAXIMUM POTHOLE SIZE SHALL BE 10" DIAMETER. SHOULD POTHOLE SIDEWALL CAVE-IN OCCUR DURING JET-VAC EXCAVATION ADDITIONAL EXCAVATION MAY BE REQUIRED (AT THE DISCRETION OF THE DEVELOPMENT SERVICES INSPECTOR).
3. REPLACE ALL PAVEMENT MARKINGS AND THERMOPLASTIC LEGENDS THAT WERE DAMAGED.
4. POTHOLE EXCAVATION MUST BE TEMPORARILY BACKFILLED SAME DAY AS EXCAVATION AND PERMANENTLY WITHIN SEVEN CALENDAR DAYS.
5. TEMPORARY STEEL COVERS ARE REQUIRED WHEN POTHOLING IS LOCATED WITHIN THE TRAVEL LANES, WHEN OPEN TO TRAFFIC.

MARC STOUT
CITY ENGINEER

	DEPARTMENT OF PUBLIC WORKS
<h2 style="margin: 0;">POTHOLE RECONSTRUCTION</h2>	
SCALE: NONE REVISED: JANUARY 1, 2016 DRAWN BY: J MCKINNEY APPROVED BY: GUY HOWES	TB-5